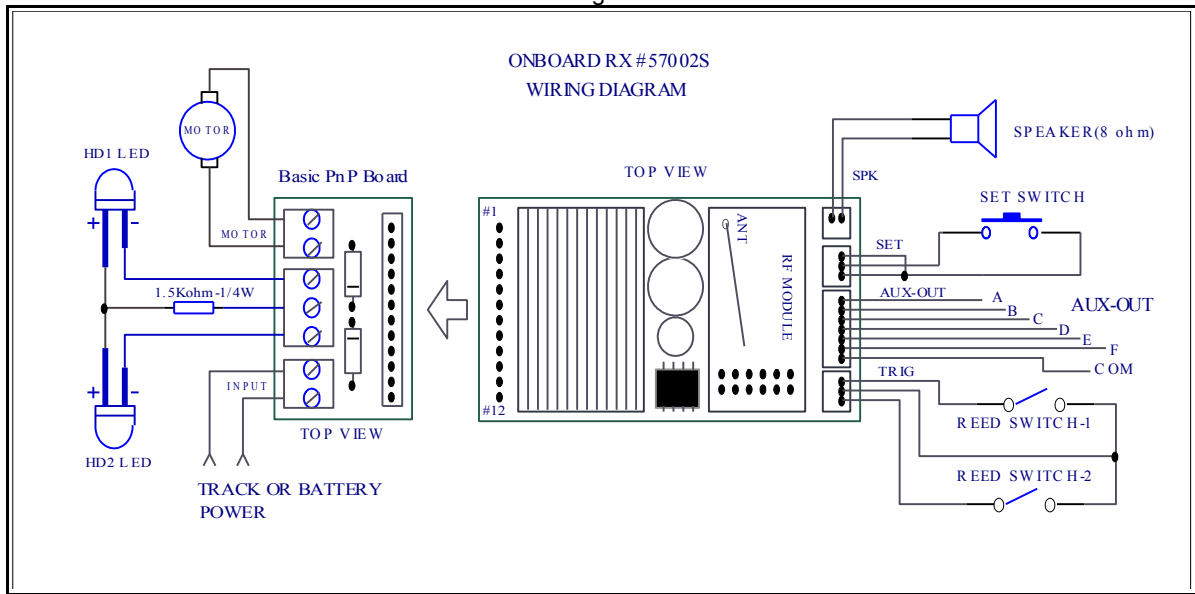


Item #57002S , #57102S
 Basic installation wiring Diagram;

<fig-1>



AUX-OUT Connector:

All outputs are as shown fig-2.

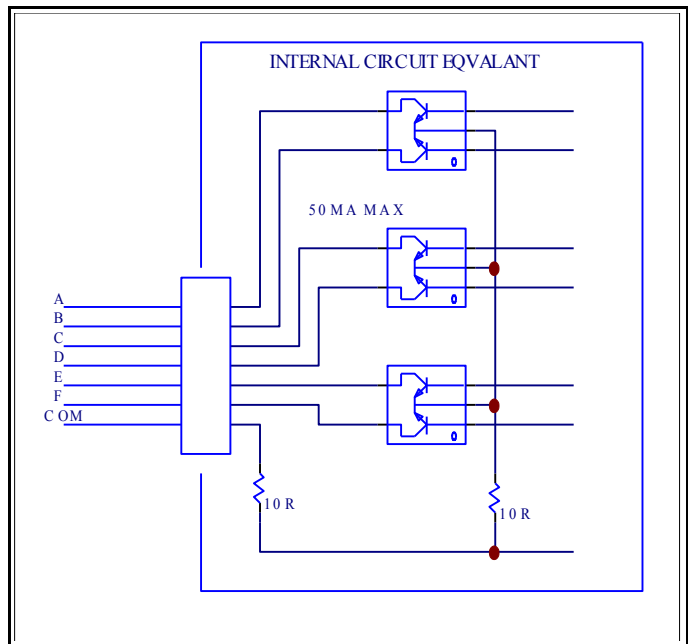
Tx keypad vs output signal

TX:	RX:
#1-----	A
#2-----	B
#3-----	C
#4-----	D
#5-----	E
#6-----	F

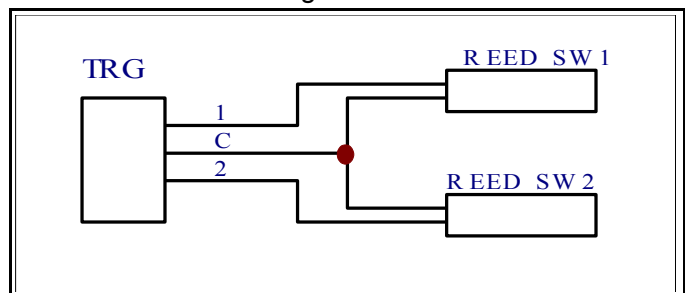
All outputs are active low signal so it can be applied to other sound system or smoke control board without modifications.

Use item # 57070(smoke control board) to control the smoke generator or others.
 (Connect white wire to F pin, black wire to COM pin).

<fig-2> AUX-OUT



<fig-3> TRIG



TRIG Connector:

These pins are used to trigger sound from a magnet on an external wheel or track layout.
 Pin 1: Diesel Horn or Steam whistle trigger.
 Pin 'C': Common signal pin.
 Pin 2: Bell or synchronizing chuff sound.

Important: Sound is turned ON / OFF by transmitter key #1.(Aux F1 must be set to latch mode)

Warning: Never connect the input power to the output terminal.